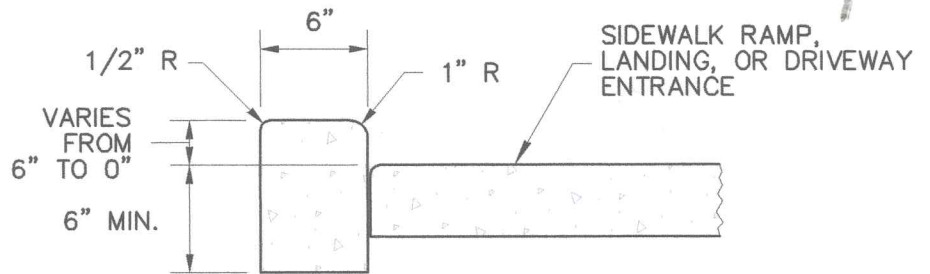
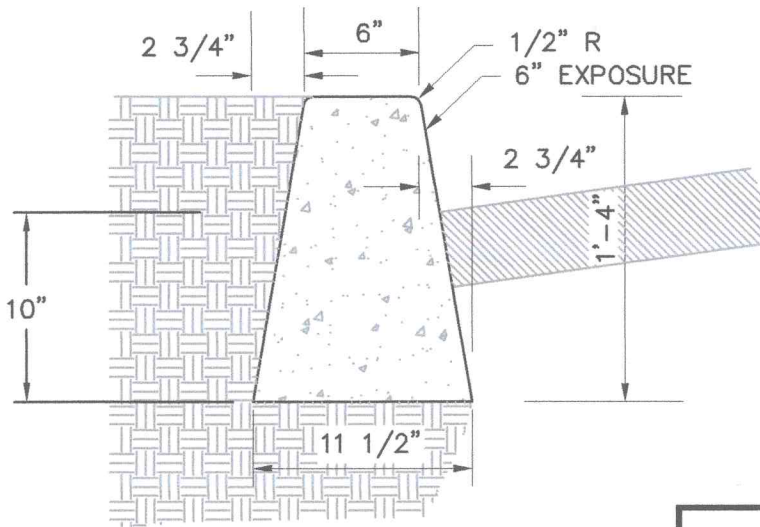


PEDESTRIAN CURB



PEDESTRIAN CURB

AT SIDEWALK RAMPS & LANDINGS,
AND DRIVEWAY ENTRANCES



TYPE 'A' CURB

CITY OF LEWISTON, IDAHO
PUBLIC WORKS DEPARTMENT

**PEDESTRIAN CURB
AND TYPE 'A' CURB**

APPROVED FOR PUBLICATION

Ch. D. S. 2-5-09
City Engineer Date

DWG. NO.

2-9