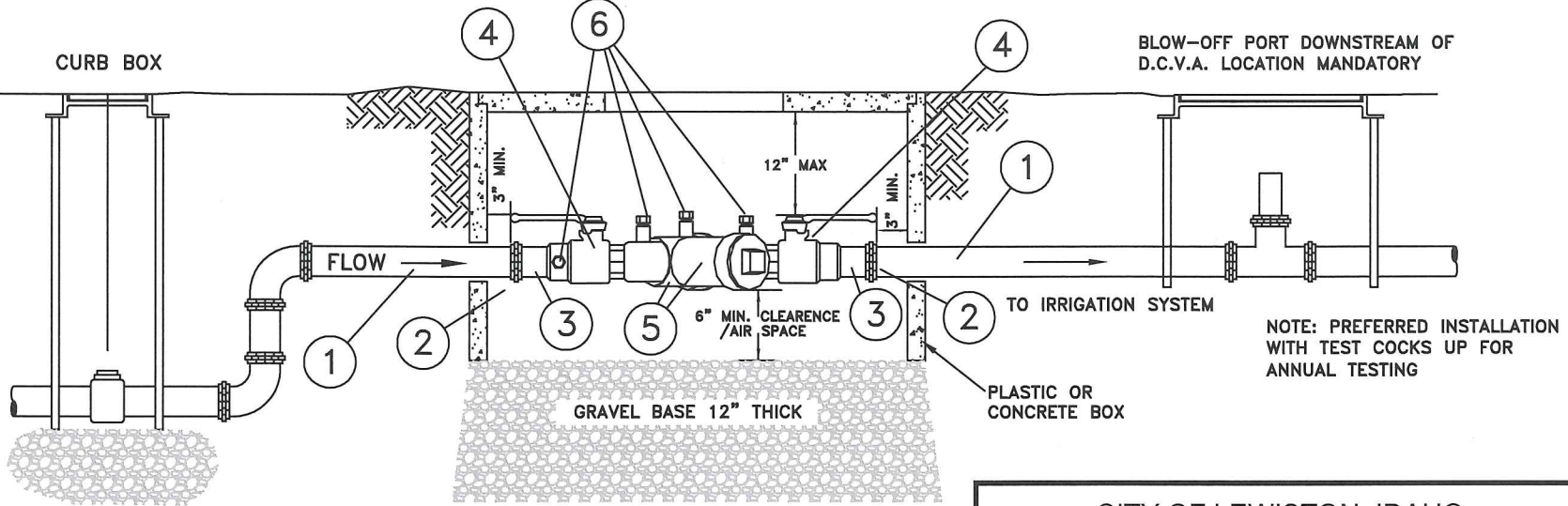
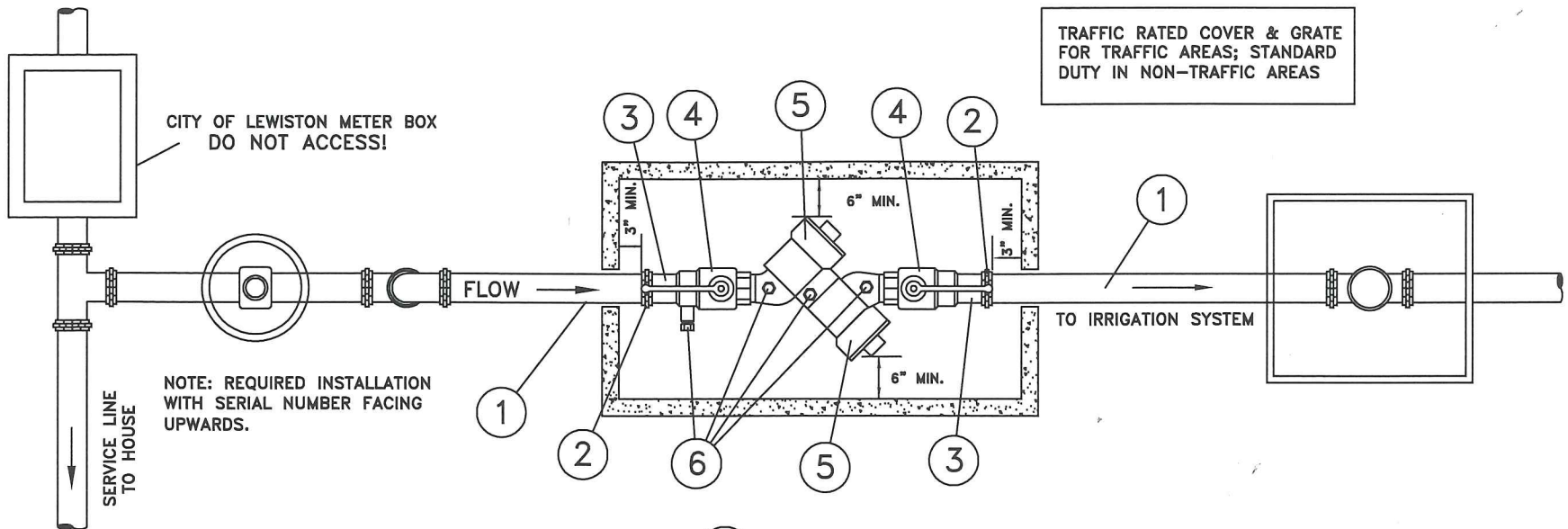


TRAFFIC RATED COVER & GRATE FOR TRAFFIC AREAS; STANDARD DUTY IN NON-TRAFFIC AREAS



REQUIRED COMPONENTS

- | | |
|-----------------|-------------------|
| 1. SERVICE LINE | 4. SHUT-OFF VALVE |
| 2. UNION | 5. CHECK VALVE |
| 3. NIPPLE | 6. TESTS COCKS |

GENERAL NOTES:

- A. THOROUGHLY FLUSH THE LINES PRIOR TO INSTALLING DCVA.
- B. DIAMETER OF PIPE AND FITTINGS FOR 2" OR SMALLER.

CITY OF LEWISTON, IDAHO
PUBLIC WORKS DEPARTMENT

**DOUBLE CHECK VALVE
ASSEMBLY FOR 2"
OR SMALLER**

APPROVED FOR PUBLICATION

Deann Shiller 2/18/15
City Engineer Date

DWG. NO.

4-10