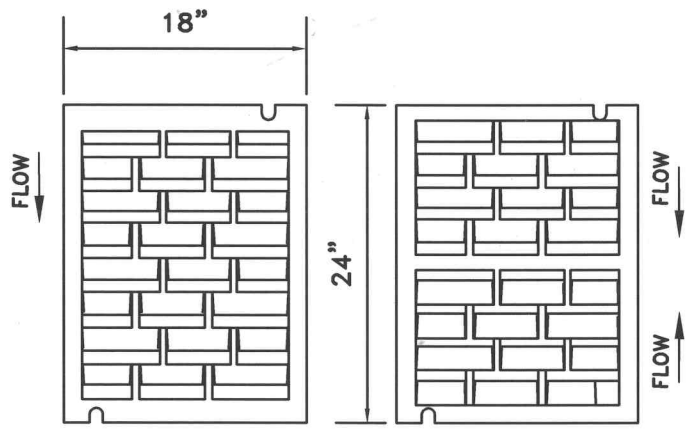


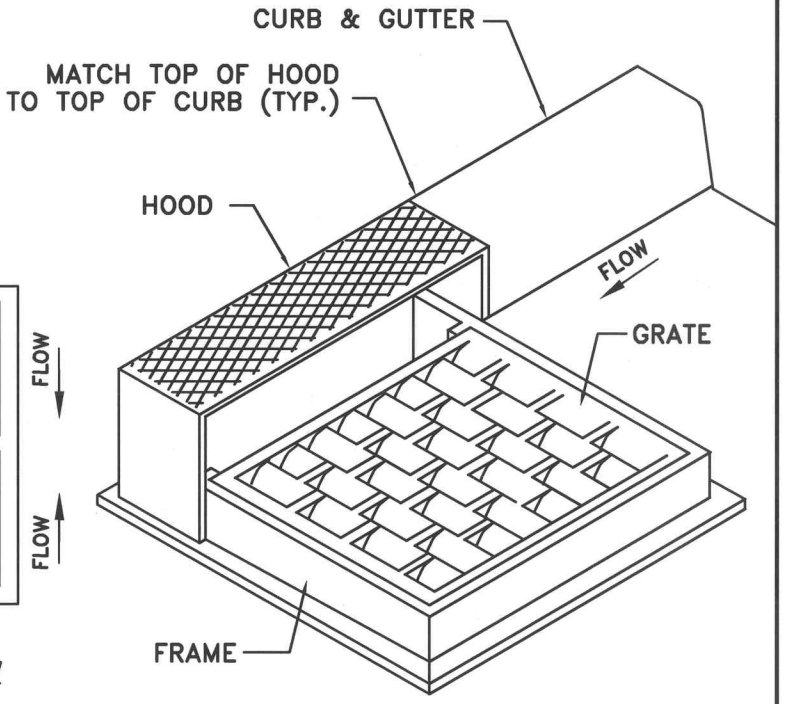
BACK OF GRATE WALL MUST BE FLUSH WITH THE BACK OF RISER WALL OR BACK OF STRUCTURE WALL

TOP VIEW - FRAME



ONE-WAY FLOW

TWO-WAY FLOW



NOTES:

1. CURB INLET CATCH BASIN FRAME [D & L SUPPLY - PRODUCT I-4434], GRATE AND HOOD OR BY OTHER MANUFACTURER WILL BE ACCEPTABLE ONLY WITH WRITTEN APPROVAL FROM PUBLIC WORKS DEPT.
2. COVER MATERIAL SPECIFICATION GRAY IRON (ASTM A48 CL35B)
3. SEE CITY DWG 6-6 'GENERAL NOTES FOR CATCH BASIINS'.

<b>CITY OF LEWISTON, IDAHO PUBLIC WORKS DEPARTMENT</b>	
<b>STORMWATER CATCH BASIN FRAME AND GRATE</b>	
APPROVED FOR PUBLICATION <i>Devin Stiller</i> City Engineer	11/21/13 Date DWG. NO. <b>6-7</b>