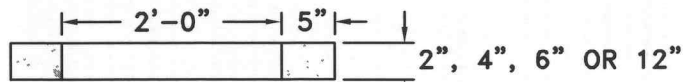
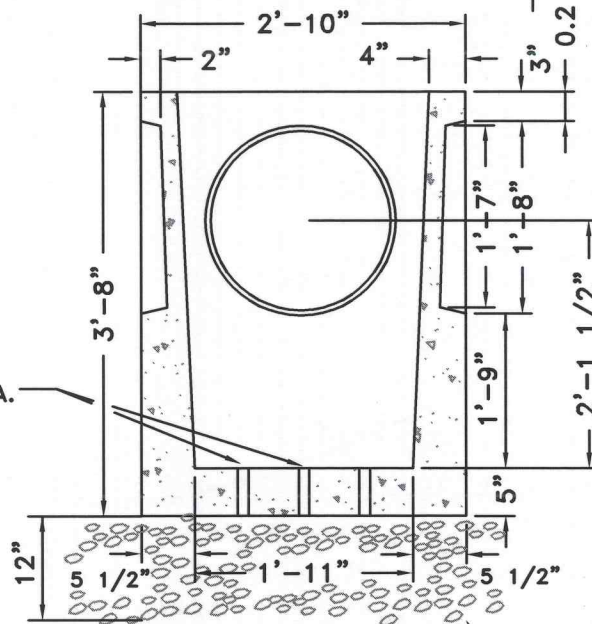


RISER -  
VARIOUS HEIGHTS



THREE 1 1/2" DIA.  
WEEP HOLES



5/8" MINUS

NOTES:

1. TYPICAL CATCH BASIN [WILBERT PRECAST PRODUCT #1827] AND RISERS [WILBERT PRECAST #1830 (FOR 12") OR #1831-2,4,6 (FOR 2", 4" OR 6")] OR BY OTHER MANUFACTURER WILL BE ACCEPTABLE ONLY WITH WRITTEN APPROVAL FROM PUBLIC WORKS DEPT.
2. SEE CITY DWG 6-6 'GENERAL NOTES FOR CATCH BASINS'.

CITY OF LEWISTON, IDAHO  
PUBLIC WORKS DEPARTMENT

STORMWATER  
TYPE 1 CATCH BASIN

APPROVED FOR PUBLICATION

*Deann Stiller* 12/13/10  
City Engineer Date

DWG. NO.

6-8